

KJM is dedicated to providing the finest in shipboard equipment. Our products are built to withstand the harsh marine environment, and are designed by people with over three decades of experience in the marine industry. **Please read the following before attempting installation to ensure complete understanding of the Mount.**

**IMPORTANT! Please read all instructions before installing.**

The M101 Stainless Steel Ratchet Mount is a versatile, free-standing mount with a four-way ratchet design. It can be used for mounting to vertical or horizontal surfaces - deck or bulkhead - and adjust to a slanted surface.

**Tools required: As needed to secure mount to surface, drill and drill bit for 1/4" screws; screwdriver; wrench or pliers**

## Installation Instructions

Choose a mounting location that is as high as possible, as free as possible from obstructions, and as far as practical from other antennas or strong sources of RF. Use 1/4" bolts and washers (sold separately) to attach the mount securely to the surface you choose. For other types of surfaces, you may need other types of mounting hardware (not supplied). Be sure to use only stainless steel hardware.

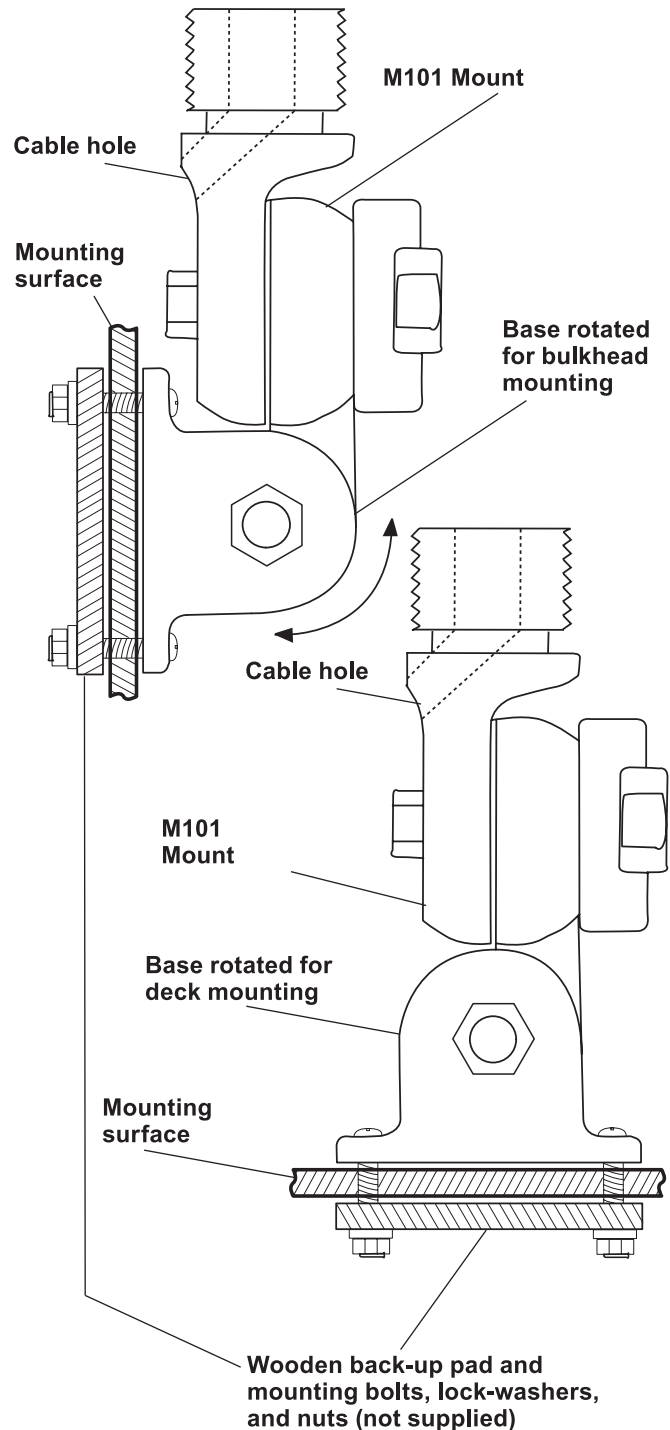
1. Using the base of the Ratchet Mount as a template, mark the location for the mounting holes. Drill 1/4" holes.
2. Attach the Ratchet Mount to the mounting surface.

**IMPORTANT: If the thickness of the mounting surface is not adequate to support the antenna under expected stress, a wooden back-up pad (not supplied) should be applied underneath the mounting surface during installation.**

3. Assemble the antenna to the Ratchet Mount, being careful not to damage the antenna's cabling, if any.

For a streamlined look, the cable may be routed through the hole in the side of the mount. To preserve the mount's lustre, apply automobile wax or metal polish.

**Supplied Parts**  
1 Stainless steel mount



KJM warrants its products to be free of defects in materials and workmanship for 5-years. KJM's obligation under this warranty is limited to repair or replace defective products. No material will be repaired or replaced without written authorization from KJM. Repair or replacement will be made only after an examination indicates defective material or workmanship at time of manufacture. KJM is in no event liable for consequential damages, installation costs or other costs of any nature incurred as a result of the use of the products manufactured by KJM, whether used in accordance with instructions or not. All shipping costs on returned material are the responsibility of the purchaser. KJM is not liable for repair or replacement of any product damaged by lightning, other natural phenomena, or incorrect installation including reverse polarity connections. This warranty is in lieu of all others, either expressed or implied. Proof of purchase is required.